



3upmetalworks.com
 (414) 322-0522
 7420 N Teutonia Ave.
 Milwaukee WI 53209

(414) 322.0522
 3upmetalworks.com

Metal Fabrication Specialists

- Food & Beverage
- Warehouse & Distribution
- Manufacturing
- Heating & Cooling
- Construction
- Transportation
- Production
- Safety

QUALITY:

Our quality promise begins with the 80-20 rule: 80% PLANNING, 20% EXECUTION

CAPABILITIES:

- Fabrication, Welding,**
- Installation, On-Site Services,**
- Custom Design, On-Site Welding**

From catwalks to conveyors, stairways to structural building components, 3Up Metal Works fortifies your operation with unmatched strength and safety.

3Up Metal Works provides services meeting special project requirements, such as laser and waterjet cutting, machining, hot-dipped galvanizing, crane service and engineering approval.

On-Site Services:

In addition to its extensive in-house capabilities, 3Up Metal Works has valued partners to meet special projects requirements.

Our Machine Capabilities:

- CNC Accurshear Hydraulic Plate Shear with ¼" x 10' capacity
- CNC Accurpress Hydraulic Brake Press with 130-ton capacity
- CNC Vulcan 1000 5'x10' Plasma Table with up to 1.5" capacity
- Jet MBS-1014W-1 Horizontal Mitering Bandsaw
- Peddinhaus Peddiworker 550 Iron Worker
- Ellis 9400 Drill Press
- Lown ¼" x 5' Plate Roller

Our Metals:

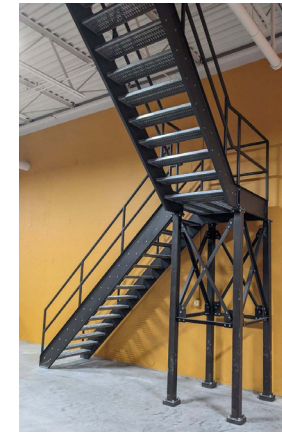
Our welding capabilities include GMAW, GTAW, & SMAW of mild carbon steel, stainless steel, and alloy steel.

Our Metal Sizes:

¾" - 20 gauge

PRODUCTS:

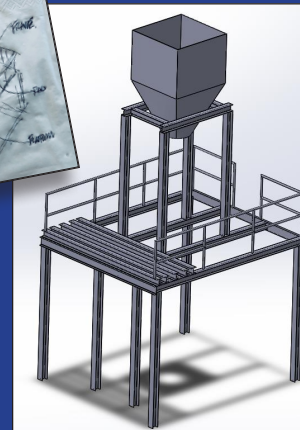
- Safety Railing and Guarding**
- Platforms and Landings**
- Stairways and Ladders**
- Catwalks and Mezzanines**
- Building Components**
- Conveyors and Production Lines**
- Modifications**
- Process Piping**



CUSTOMIZATION:

Specialty Equipment Expertise

We specialize in designing and fabricating non-standard specialty equipment for production areas, limited spaces or other highly-specific needs.



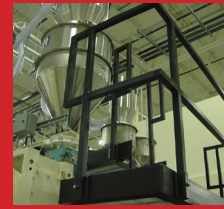
CAPABILITIES:

Fabrication

As a full-service metal fabrication shop, we welcome projects requiring an expert touch and a manageable price tag. Our team designs and fabricates everything from large parts to small custom precision pieces.

Welding

We specialize in welding stainless steel, mild carbon steel, alloy steel and aluminum, especially for the food and beverage industry. Besides MIG and TIG welding, our plasma cutting table can handle long and short runs of parts and pieces.



Installation

We provide mechanical assembly service at your plant, on a schedule that minimizes disruption and maximizes efficiency. Our products are often fabricated as bolted connections for quick, safe installation.

On-Site Services

Need work performed at your location? We'll come to you, with tradespeople who get the job done right, the first time.



Custom Design

Our expert metal fabricators have decades of experience designing and creating custom pieces for an incredible range of uses. What do you need? We'll make it happen.

On-Site Welding

We provide on-site welding services at your location for new equipment, infrastructure additions or special projects. Or, we'll supplement your welding team as needed with skilled personnel.



(414) 322.0522
3upmetalworks.com